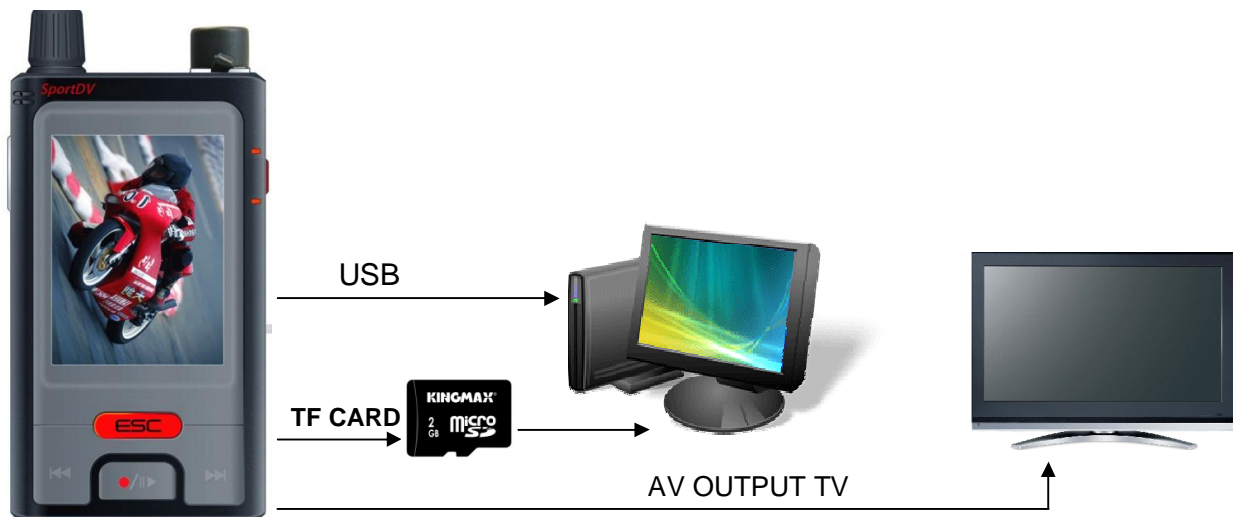


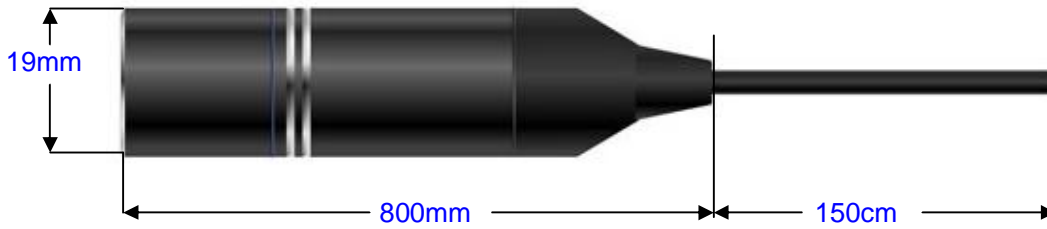
HD Video Recording System

MODEL:PV912



HD Video Recording System

MODEL:PV912

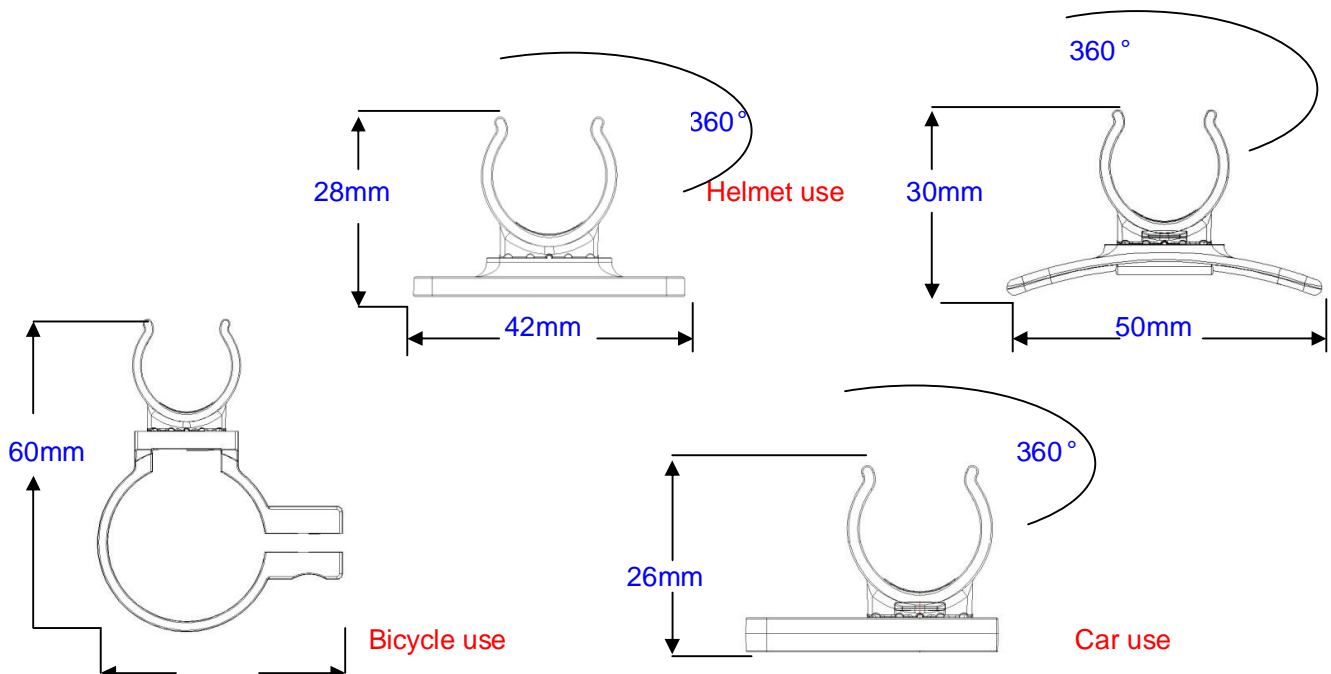


CAMERA Device Structure

- Interline CCD image sensor
- Image size: Diagonal 6mm (Type 1/3)
- Number of effective pixels: 500 (H) × 582 (V) approx. 290K pixels
- Total number of pixels: 537 (H) × 597 (V) approx. 320K pixels
- Chip size: 5.59mm (H) × 4.68mm (V)
- Unit cell size: 9.8 μ m (H) × 6.3 μ m (V)
- Optical black: Horizontal (H) direction : Front 7 pixels, rear 30 pixels
Vertical (V) direction : Front 14 pixels, rear 1 pixel
- Number of dummy bits: Horizontal 16
Vertical 1 (even fields only)



Camera Bracket



HD Video Recording System

MODEL:PV912

| LCD | 2.5inch TFT LCD 960×240 | | | |
|-----------------------|---|--------|--------|-------------------------------|
| Video system | PAL/NTSC | | | |
| Video resolution | D1 720×576@25 fps D1 720×480@30 fps | | | |
| Frame rate | VGA 640×480@30fps QVGA 320×240@30fps | | | |
| Video format | AVI (MPEG-4) | | | |
| Audio format | MP3 | | | |
| Built-in flash memory | 128MB~2G(optional) | | | |
| Memory compatibility | Micro SD Card 256MB~16GB | | | |
| USB Jack | High-speed USB 2.0 | | | |
| AV In Jack | 3 rings with 2.5mm | | | |
| AV Output Jack | 3 rings with 2.5mm | | | |
| Language | Chinese/English | | | |
| Operation Temperature | -0°C-60°C | | | |
| Operation Humidity | 15-85%RH | | | |
| Power supply | DC 5V 1000mAh | | | |
| Battery | Li-ion battery 1300mAh | | | |
| OS supported | 2000/XP/Vista 32 | | | |
| Quality Resolution | High | Medium | Low | Battery time |
| 720x576 | ≤45MB | ≤36MB | ≤20MB | Approx. 1 hour and 40 minutes |
| 720x480 | ≤43MB | ≤33MB | ≤18MB | Approx. 1 hour and 30 minutes |
| 640x480 | ≤39MB | ≤27MB | ≤16MB | Approx. 1 hour and 32 minutes |
| 320x240 | ≤12.4MB | ≤9.8MB | ≤8.3MB | Approx. 1 hour and 50 minutes |